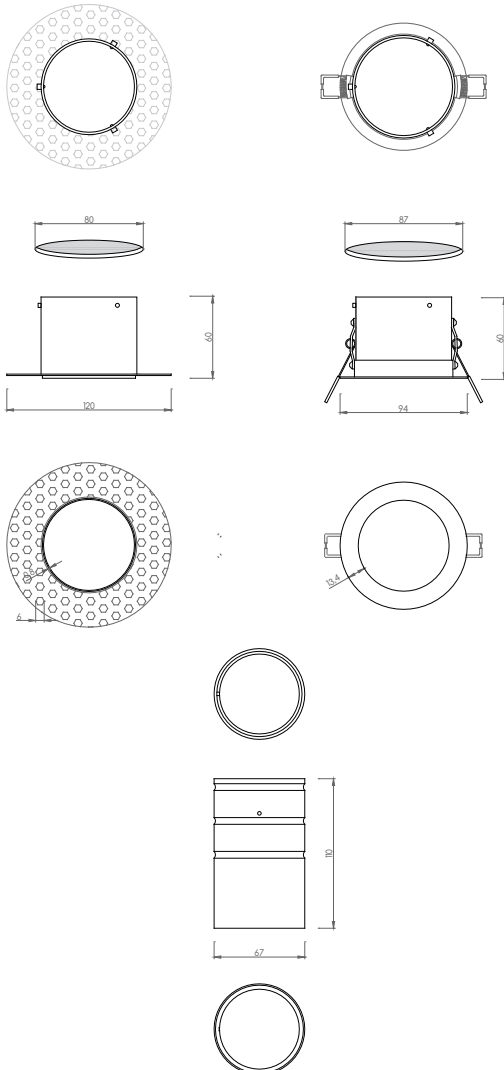




coin light ^M

RANGE	COIN LIGHT
REF.	COINM-
TYPE	RECESSED / FRAME
DIMENSIONS	Ø120 x 60 mm / Ø94 x 60 mm
FREE HEIGHT FOR INSTALLATION	130 mm
MATERIAL	ALUMINUM
FINISH	ALUMINUM
CUT DIAMETER	80 / 87 mm
IP RATING	IP44
COMPATIBILITY	*View sketch
OPENING DEGREES	10° / 24° / 36°



CODE	DESCRIPTION
COINMF00	COIN LIGHT M frame white
COINMF01	COIN LIGHT M frame aluminium
COINMF02	COIN LIGHT M frame brass
COINMF09	COIN LIGHT M frame black
COINMR00	COIN LIGHT M trimless white
COINMR01	COIN LIGHT M trimless aluminium
COINMR02	COIN LIGHT M trimless brass
COINMR09	COIN LIGHT M trimless black

CODE	DESCRIPTION
COINMS123010904401	COIN LIGHT M stand 12,7W 3000K 10° Ra90 IP44 1385lm aluminium
COINMS123024904401	COIN LIGHT M stand 12,7W 3000K 24° Ra90 IP44 1385lm aluminium
COINMS123036904401	COIN LIGHT M stand 12,7W 3000K 36° Ra90 IP44 1385lm aluminium
COINMS124010904401	COIN LIGHT M stand 12,7W 4000K 10° Ra90 IP44 1485lm aluminium
COINMS124024904401	COIN LIGHT M stand 12,7W 4000K 24° Ra90 IP44 1485lm aluminium
COINMS124036904401	COIN LIGHT M stand 12,7W 4000K 36° Ra90 IP44 1485lm aluminium

Driver incluido. *Driver included.*