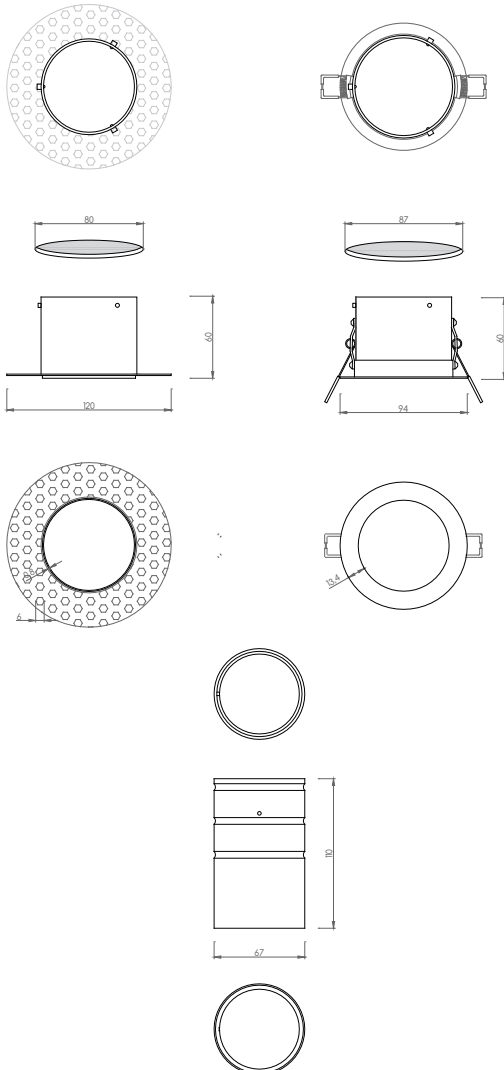




coin light ^M

RANGE	COIN LIGHT
REF.	COINM-
TYPE	RECESSED / FRAME
DIMENSIONS	Ø120 x 60 mm / Ø94 x 60 mm
FREE HEIGHT FOR INSTALLATION	130 mm
MATERIAL	ALUMINUM
FINISH	BLACK
CUT DIAMETER	80 / 87 mm
IP RATING	IP44
COMPATIBILITY	*View sketch
OPENING DEGREES	10° / 24° / 36°



CODE	DESCRIPTION
COINMF00	COIN LIGHT M frame white
COINMF01	COIN LIGHT M frame aluminium
COINMF02	COIN LIGHT M frame brass
COINMF09	COIN LIGHT M frame black
COINMR00	COIN LIGHT M trimless white
COINMR01	COIN LIGHT M trimless aluminium
COINMR02	COIN LIGHT M trimless brass
COINMR09	COIN LIGHT M trimless black

CODE	DESCRIPTION
COINMS123010804409	COIN LIGHT M stand 12,7W 3000K 10° Ra80 IP44 1640lm black
COINMS123024804409	COIN LIGHT M stand 12,7W 3000K 24° Ra80 IP44 1640lm black
COINMS123036804409	COIN LIGHT M stand 12,7W 3000K 36° Ra80 IP44 1640lm black
COINMS124010804409	COIN LIGHT M stand 12,7W 4000K 10° Ra80 IP44 1705lm black
COINMS124024804409	COIN LIGHT M stand 12,7W 4000K 24° Ra80 IP44 1705lm black
COINMS124036804409	COIN LIGHT M stand 12,7W 4000K 36° Ra80 IP44 1705lm black

Driver incluido. *Driver included.*