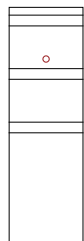
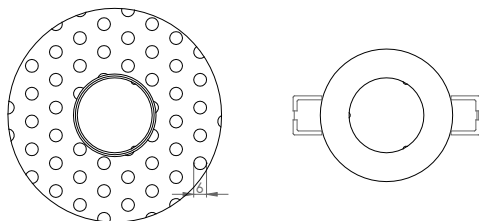
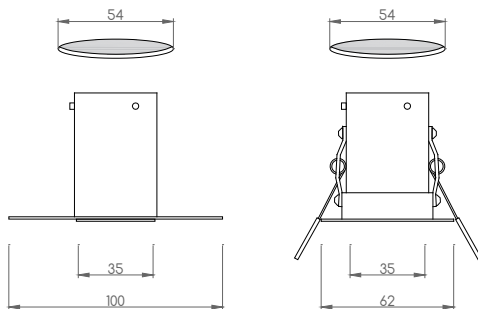




coin light ^S

RANGE	COIN LIGHT
REF.	COINS-
TYPE	RECESSED / FRAME
DIMENSIONS	Ø100 x 60 mm / Ø62 x 60 mm
FREE HEIGHT FOR INSTALLATION	130 mm
MATERIAL	ALUMINIUM
FINISH	WHITE
CUT DIAMETER	54 mm
IP RATING	IP44
COMPATIBILITY	*View sketch
OPENING DEGREES	10° / 24° / 36°



CODE	DESCRIPTION
COINSF00	COIN S frame white
COINSF01	COIN S frame aluminium
COINSF02	COIN S frame brass
COINSF09	COIN S frame black
COINSR00	COIN S trimless white
COINSR01	COIN S trimless aluminium
COINSR02	COIN S trimless brass
COINSR09	COIN S trimless black

CODE	DESCRIPTION
COINS0730804400	COIN LIGHT S stand 7W 3000K 36° Ra80 IP44 1004lm white
COINS0740804400	COIN LIGHT S stand 7W 4000K 36° Ra80 IP44 1047lm white

Driver incluido. *Driver included.*