

coin R IP55



RANGE	COIN
REF.	COINDE-
TYPE	RECESSED
DIMENSIONS	Ø95 x 147 mm
FREE HEIGHT FOR INSTALLATION	156 mm
CUT DIAMETER	85 mm
WEIGHT	0,493 kg
MATERIAL	ALUMINUM/PLASTIC
FINISH	WHITE
IP RATING	IP55
VOLTAGE	32,4 V - 37,6 V
FEEDER KIT	350mA (NOT INCLUDED)
DIMMABLE	YES
POWER	12,2 W
SERVICE LIFE	50.000h (L70)
OPERATING TEMPERATURE	-20 a 40 °C
LIGHTING DISTRIBUTION	DIRECT
COLOR TEMPERATURE	3000 K
CRI	>90
MACADAM ELLIPSE	3
LIGHTING FLUX	1170 lm
LUMINOUS EFFICACY	115 lm/W
OPENING DEGREES	24°

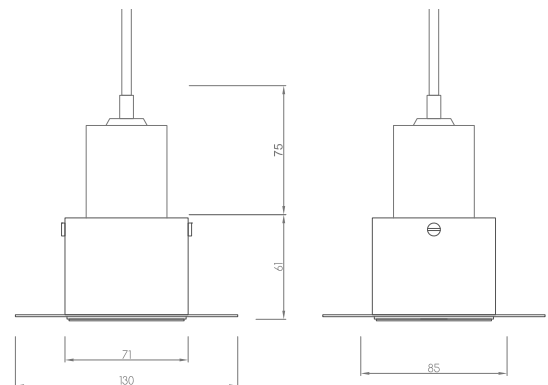


CODE / DESCRIPTION

QBOCONDEI223024900055

COIN DOWNLIGHT trimless 12,2W 3000K 24° Ra90 1170lm IP55 white

(driver not included)



coin^{acc}

CODE	DESCRIPTION
TR87500572	LC 15W 350mA fix C SR SNC
TR28000674	LCA 17W 250-700mA one4all SC PRE
TR28001110	I-SELECT 2 PLUG 350MA BL
TR28001168	ACU SC 43x30mm CLIP-ON SR SET e4all SC PRE