



coin R IP55

RANGE	COIN
REF.	COINDE-
TYPE	RECESSED
DIMENSIONS	Ø71 x 137 mm (FRAMELESS)
FREE HEIGHT FOR INSTALLATION	156 mm
CUT DIAMETER	85 mm
WEIGHT	0,465 kg
MATERIAL	ALUMINUM/PLASTIC
FINISH	WHITE
IP RATING	IP55
VOLTAGE	30 V - 40 V
FEEDER KIT	250mA (NOT INCLUDED)
DIMMABLE	YES
POWER	8,8 W
SERVICE LIFE	50.000h (L70)
OPERATING TEMPERATURE	-20 a 40 °C
LIGHTING DISTRIBUTION	DIRECT
COLOR TEMPERATURE	3000 K
CRI	>90
MACADAM ELLIPSE	3
LIGHTING FLUX	840 lm
LUMINOUS EFFICACY	95 lm/W
OPENING DEGREES	24°

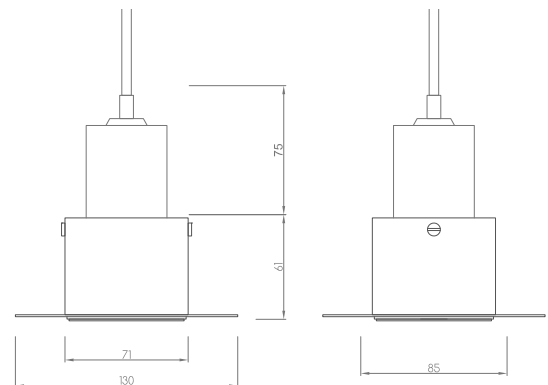


CODE / DESCRIPTION

QBOCONDE883024900055

COIN DOWNLIGHT trimless 8,8W 3000K 24° Ra90 840lm IP55 white

(driver not included)



coin^{acc}

CODE	DESCRIPTION
TR87500580	LC 10W 250mA fixC SR SNC
TR28000673	LCA 10W 150-400mA one4all SC PRE
TR28001106	I-SELECT 2 PLUG 250MA BL
TR28001168	ACU SC 43x30mm CLIP-ON SR SET e4all SC PRE