

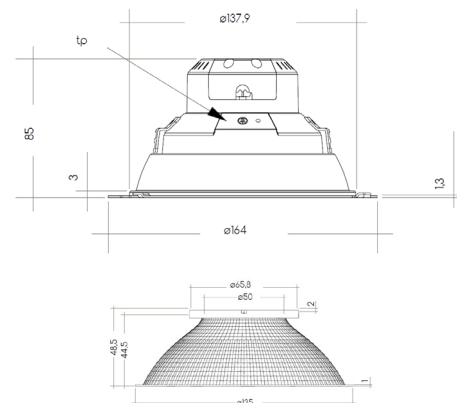
dla G1 150mm



RANGE	TRIDONIC LED MODULE AC
REF.	TR8750059-
TYPE	LED LAMP
DIMENSIONS	ø164 x 85 mm
FREE HEIGHT FOR INSTALLATION	105 mm
WEIGHT	0,210 kg
FINISH	BLUE AND WHITE
VOLTAGE	220 - 240 V
FREQUENCY	50 / 60 Hz
FEEDER KIT	INCLUDED
DIMMABLE	NO
POWER	22,7 W
POWER FACTOR	0,9
SERVICE LIFE	30.000h (L70)
IP RATING	IP20
OPERATING TEMPERATURE	-20 a 40 °C
LIGHTING DISTRIBUTION	DIRECT
COLOR TEMPERATURE	3000 K / 4000 K
CRI	80
MACADAM ELLIPSE	4
LIGHTING FLUX	2000 lm / 2100 lm
LUMINOUS EFFICACY	88 lm/w / 92 lm/w
OPENING DEGREES	60°



CODE	DESCRIPTION
TR87500590	DLA 23W 3000K 60° Ro80 2000lm 150mm R
TR87500591	DLA 23W 4000K 60° Ro80 2100lm 150mm R
TR28001096	DLA REFLECTOR 60° 150mm



dla^{acc}

CODE	DESCRIPTION
RINGDLARO19200	RING DLA round 192mm white
RINGDLASQ19200	RING DLA square 192mm white