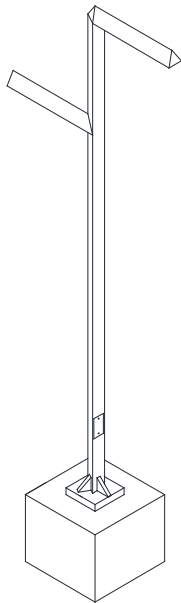
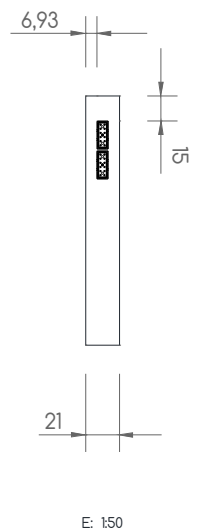
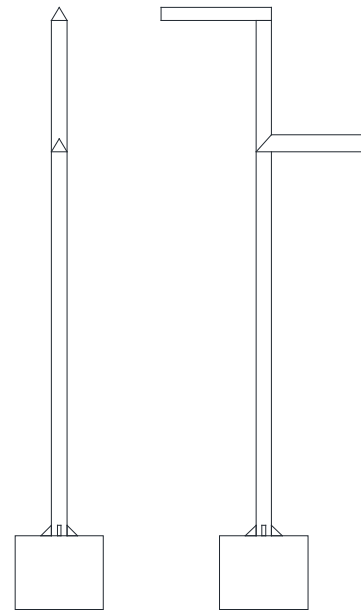
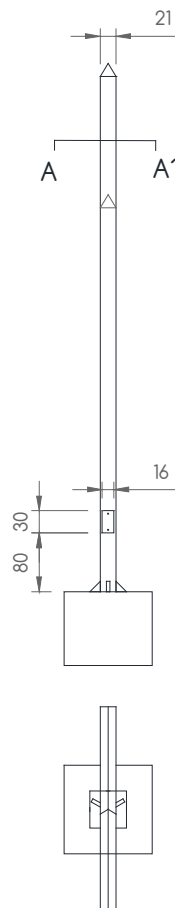
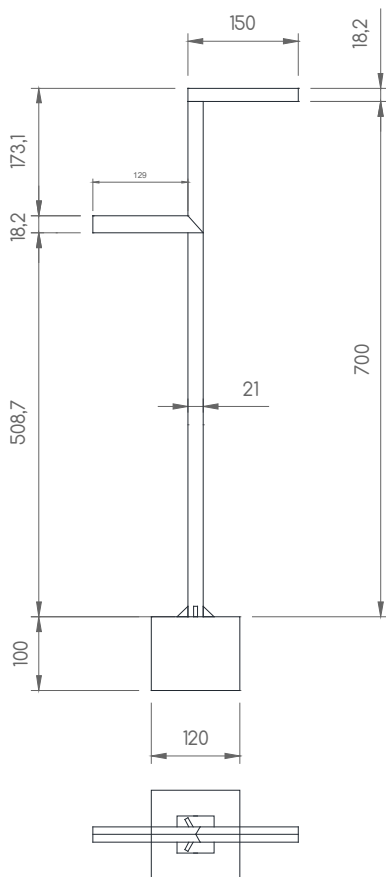


## street 2



RANGE	QBO STREET
REF.	QBOSTREETLED
TYPE	RAIL LED PROJECTOR
DIMENSIONS	7000 x 279 x 71 mm
MATERIAL	ACERO GALVANIZADO
VOLTAGE	240 V
FREQUENCY	60 Hz
FEEDER KIT	2100 mA
DIMMABLE	BAJO PEDIDO
POWER	123,0 W
SERVICE LIFE	> 100.000 HRS
IP RATING	IP67
OPERATING TEMPERATURE	25° C
LAMP HOLDER	YES
LIGHTING DISTRIBUTION	DIRECT
COLOR TEMPERATURE	3000K / 4000K / 5700K
CRI	80
MACADAM ELLIPSE	4
LIGHTING FLUX	16540 lm / 17415 lm / 17525 lm
LUMINOUS EFFICACY	134.5 lm/w / 141.6 lm/w / 142.5 lm/w
OPENING DEGREES	150 °
LENS ASIMETRICS	YES



E: 1:100

